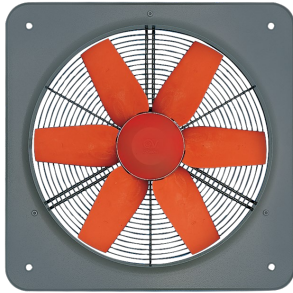


Technical Data Sheet

CODE 42304

MP 304 T

Medium-pressure plate axial fans



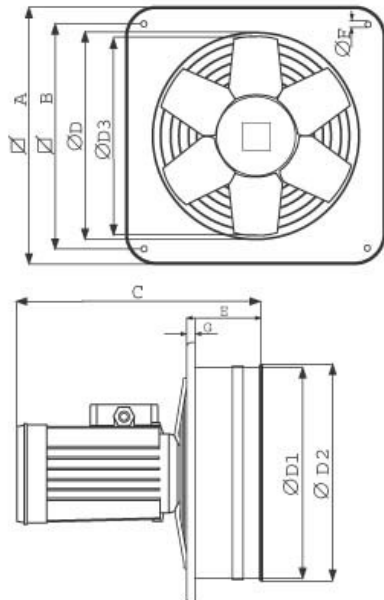
Certifications



TECHNICAL AND PERFORMANCE DATA

Absorbed Current at 220 V (A)	0,24	Max ambient temperature for continuous operation (°C)	70
Absorbed Current at 240 V (A)	0,41	Max. absorbed power at max speed (W)	110
Absorbed Current at 380 V (A)	0,24	Nominal Diameter (mm)	315
Absorbed Current at 415 V (A)	0,41	Number of Poles	4
Absorbed Current max (A)	0,41	Voltage (V)	220/380 240/415
Absorbed power at 220-380 V (W)	110	Weight (Kg)	6,9
Absorbed power at 240-415 V (W)	110	Delivery max (l/s)	566,7
Absorbed Power max (W)	110	Delivery max (m³/h)	2040
Frequency (Hz)	50	Pressure max (mmH2O)	15
Inlet	Automatico	Pressure max (Pa)	147
Insulation Class	I°	RPM	1400
IP	55	Sound power level Lw [dB(A)]	59
		Sound Pressure level Lp [dB (A)] 3m	59

DIMENSIONS



Size A (mm)	380
Size B (mm)	330
Size C (mm)	279
Size D (mm)	308
Size D1 (mm)	∅
Size D2 (mm)	310,5
Size D3 (mm)	∅ 316
	300
Size E (mm)	94
Size F (mm)	∅ 8
Size G (mm)	10

PER INFORMAZIONI:

Servizio al Cliente: tel +39 02 90699395 premendo 1 dopo messaggio registrato (consulenza su prodotti e impianti)

Pre & Post Vendita: fax +39 02 90699302

Email prevendita: prevendita@vortice-italy.com

Technical Data Sheet

CODE 42304

MP 304 T

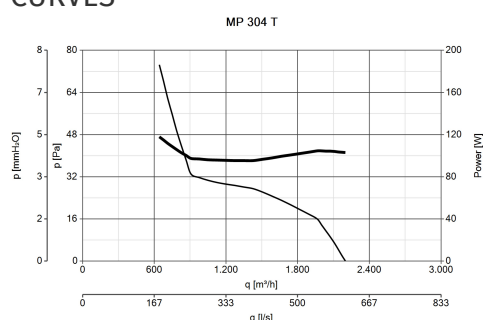
Medium-pressure plate axial fans



DESCRIPTION

- Nominal diameter 300 mm
- Wall-mounting panel manufactured from phosphated pressed steel, polyester powder coated with hammered effect finish, guaranteeing long-term resistance to atmospheric agents.
- Ventilation port fashioned in one piece with the panel and gauged to optimize air flow.
- Protective grille (in accordance with UNI ISO 13857 standard) combining the function of motor bracket, made of electrically welded steel with epoxy paint finish, colour black. Easy removal simplifies maintenance and cleaning of the fan.
- 1 speed asynchronous three-phase AC motor with shaft turning in double shielded ball bearings, insulation class F.
- Maximum air flow 2,200 m³/h
- Impeller with 6 wing profile blades keyed to a diecast aluminium hub and dynamically balanced (UNI ISO 1940 – Balancing class 6.3), optimized to deliver maximum performance and low noise levels, moulded from filled polypropylene for superior dimensional stability and resistance to atmospheric agents.
- Vortice speed controllers.

CURVES



ACCESSORIES



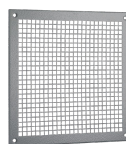
IRT 15

Code 12923



PGR 300 (PERSIANA GRAVITA')

Code 50250



TRA 300 (TELAIO CON RETE ANTINF.)

Code 51250



DPU 300 (DISTANZIATORE)

Code 52251



Iret Inverter 2,5 M

Code 12816

PER INFORMAZIONI:

Servizio al Cliente: tel +39 02 90699395 premendo 1 dopo messaggio registrato (consulenza su prodotti e impianti)

Pre & Post Vendita: fax +39 02 90699302

Email prevendita: prevendita@vortice-italy.com